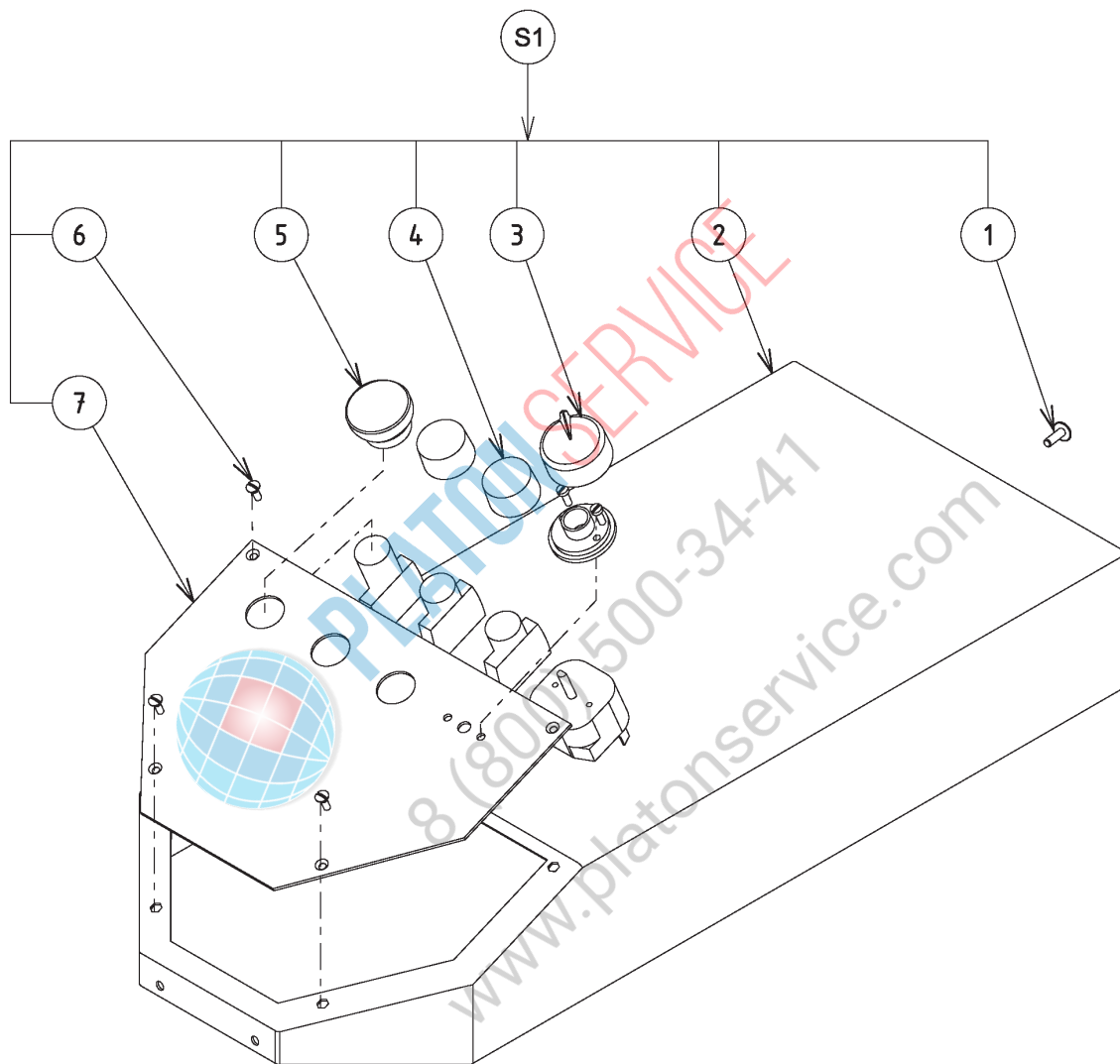


**Vue éclatée capot / Exploded view - Cover /
Explosionszeichnung - Abdeckung / Esploso - Coperchio /
Despiece - Cubierta**

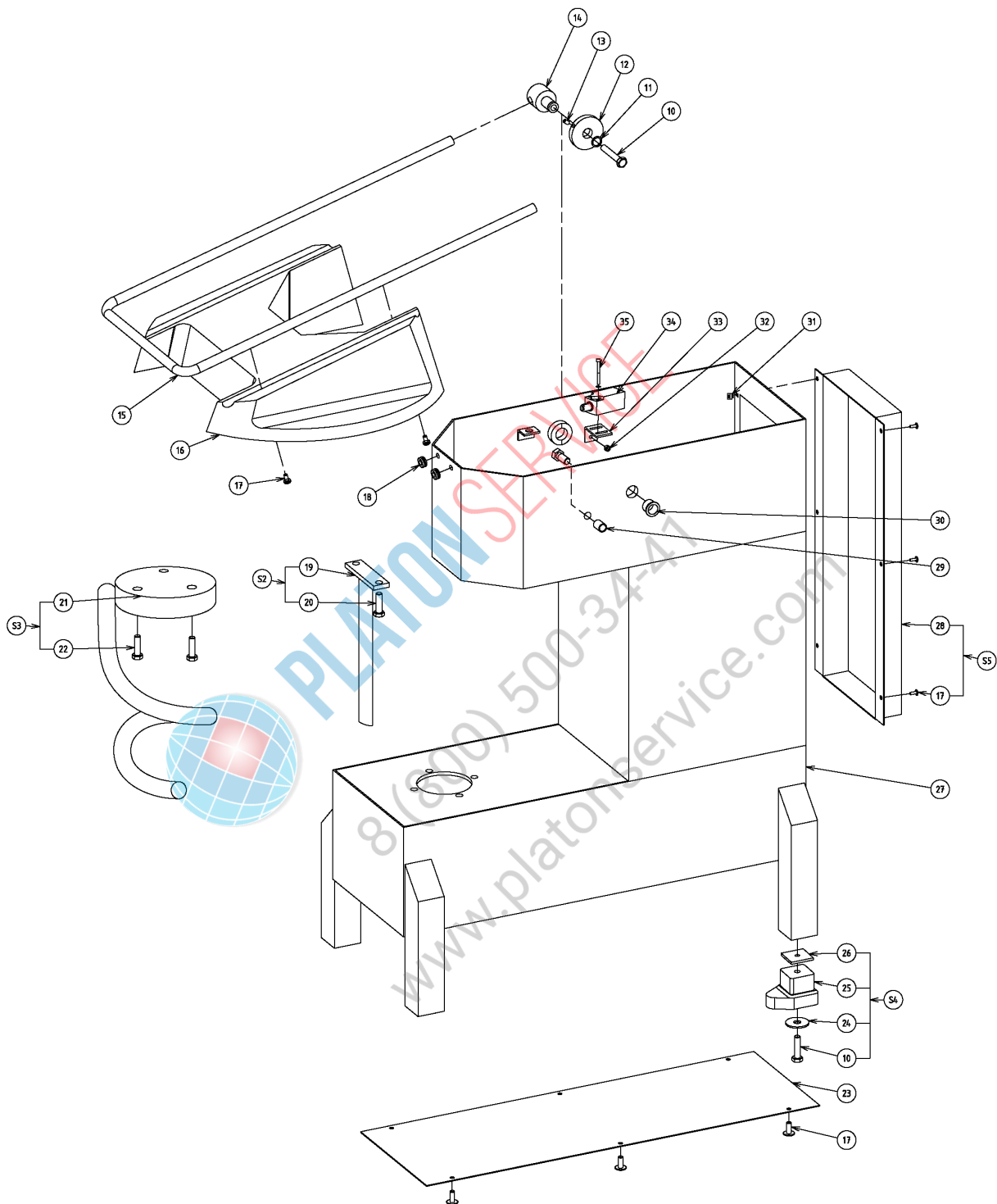


??????	601256								
??????	SPPSF50	???????? 2					Exploded view - Cover		
.		Alias		S			.		(Euro)
0001	0D0607						SCREW; 10 PCS		19,54
0002	000000							See S1	
0003	0D0610						K35 SCREW TC 4X8		18,58
0003	0D1611			S			KNOB; POTENTIOMETER		3,59
0003	0D3298			S			BUTTON CLADDING UNIVERSEL		5,04
0003	0KQ310						TIMER		58,97
0003	0KQ677			S			TIMER GASKET		1,68
0004	0D0363		0KQ647				K25 PULSE PUSH BUTTON		
0005	0D0364						K25 OFF PUSH BUTTON		23,45
0006	0D0497			S			SCREW; 10 PCS		18,58
0007	0D6403				D		SUPPORT; TABLEAU BORD PSF50		90,34
0007	0D6404				D		PLAQUE; TABLEAU BORD PSF50		174,60
0007	0D6405				D		PLAQUE; TABLEAU BORD PSF10		
00S1	0D1096				D		CAPOT NU PSF50		
00S1	0D3070				D		WIRING KIT 3 400 CONTROL 24V PSF50		1 352,00



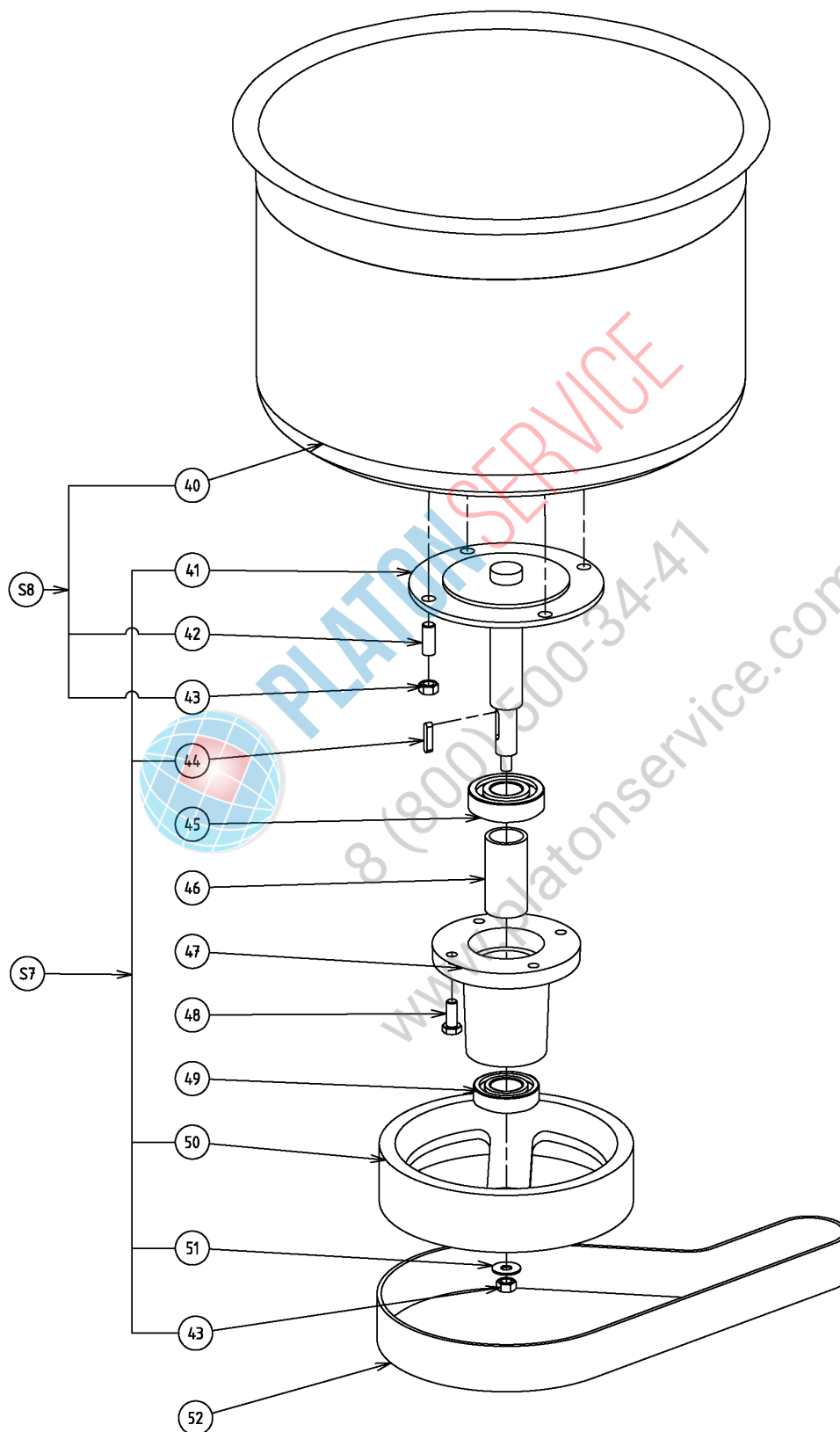
PLATON SERVICE
8 (800) 500-3447
www.platonservice.com

Vue éclatée Bati-Ecran-Outil / Exploded view - Frame - Screen-Tool / Explosionszeichnung - Gestell - Kranz - Werkzeug



??????	601256								
??????	SPPSF50	???????? 4				Exploded view - Frame - Screen- Tool			
.		Alias		S		.			(Euro)
0010	0D0598				D			SCREW; 10 PCS	21,62
0011	0D2244							CIRCLIPS 18E SET X10	21,42
0012	0D6406				D			CAM; EQ PSF50	79,37
0013	0D3495				D			SCREW SHC PTU M6X12 STLESS STL (SET X10)	21,92
0014	0D6407				D			AXIS; ECRAN PSF50	52,58
0015	0D6408				D			ARM; ECRAN BILLE PSF50	322,80
0016	0D6409							ECRAN EMBALLE; PSF50	173,60
0017	0D0601							SCREW; 10 PCS	22,43
0018	0D3410							GROMMET 7X10X1.4 XBE5 SET X4	35,63
0019	000000							See S2	
0020	0D0596							SCREW H10X35	22,43
0021	000000							See S3	
0022	0D5722				D			SCREW; H M10X55 INOX (JEU X10)	35,53
0023	0D6410				D			BOTTOM; PSF50	48,72
0024	0KQ506							WASHER; 10 PCS	20,27
0025	0U0566							RUBBER FOOT(2") 1&5/8"FITTING	12,04
0026	0D0541							NUT; 10 PCS	59,07
0027	0D6411				D			BASEMENT; NU EMBALLE PSF50	1 838,00
0028	000000							See S5	
0029	0D0069				D			PSR50 PLASTIC STOP	23,85
0029	0D0600				D			SCREW H 12X20; 5 PCS	24,06
0030	0HD005							BUSHING	6,86
0031	0D0640				D			NUT; 10 PCS	22,43
0032	0D0500				D			M5 NUT	19,22
0032	0D0625							WASHER; 10 PCS	18,90
0033	0D6413				D			SUPPORT; RUPTEUR PSF50	18,90
0034	0KQ206							SWITCH	62,22
0035	0D0631				S			WASHER; SET 10PCS	5,38
0035	0D3399							SCREW CHC M4X40 STLESS STL SET X10	22,03
0035	0KL159							NUT; 10 PCS	18,37
00S2	0D6355							BAR; PETRISSAGE EQ PSF50	154,30
00S3	0D0837				D			PSF50 TOOL	1 406,00
00S4	0KQ431				S			FOOT ASSEMBLY BM20	38,37
00S5	0D6412				D			BOTTOM PLATE; EQ PSF50	144,10

**Vue éclatée Cuve-Palier de cuve / Exploded view - Bowl -
Bowl Bearing / Explosionszeichnung - Kessel - Kessellager
/ Esploso - Vaschetta - Arresto Vaschetta / Despiece - Cuba
- Cojinete de cuba**



H

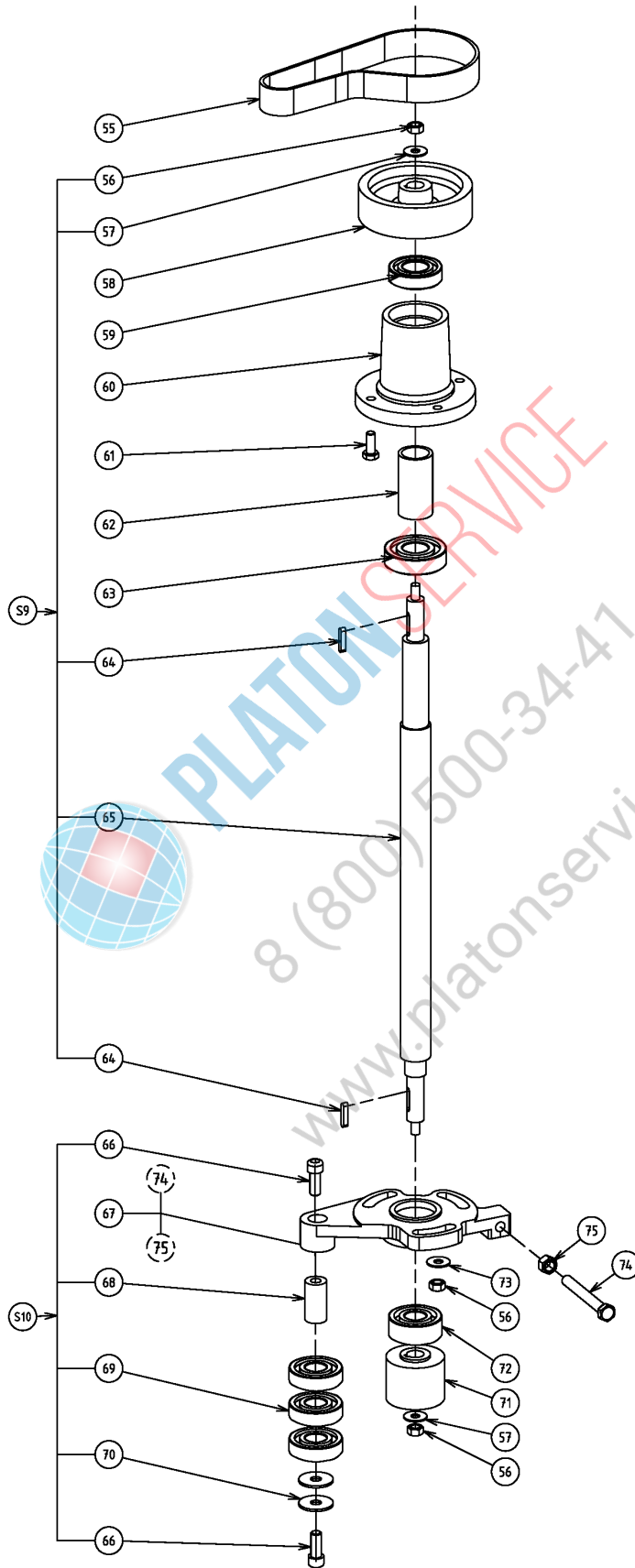
PSF60 FR 02 08

??????		601256									
??????		SPPSF50		???????? 8		Exploded view - Bowl - Bowl Bearing					
.		Alias		S		.				(Euro)	
0040	000000								See S8		
0041	000000								See S7		
0042	000000								See S8		
0043	0U0651							SELF-LOCK NUT; M10, 10 PCS		19,54	
0044	0D0644				D			SCREW; 10 PCS		20,27	
0044	0D2336				D			COTTERPIN A8X7X40 PSR50 SET X5		23,55	
0045	0KQ358							BEARING		13,45	
0046	0D5838							SPACER; PSF50		23,95	
0047	0D0848							PSF50 BUSH		201,00	
0048	0D6064				D					25,78	
0049	0D0006			S				BEARING		9,98	
0050	0D5145				D			PULLEY		240,60	
0051	0D6070									78,36	
0052	0D1438							COURROIE POLY V 1168 J18		37,25	
00S7	0D0888							PSF50 SHAFT BOWL + PULLEY		526,00	
00S8	0D0838							PSF50 BOWL		1 058,00	



PLATON SERVICE
 8 (800) 500-3471
 www.platonservice.com

**Vue éclatée Transmission / Exploded view - Transmission /
 Explosionszeichnung - Getriebe / Esploso - Trasmissione /
 Despiece - Transmision**

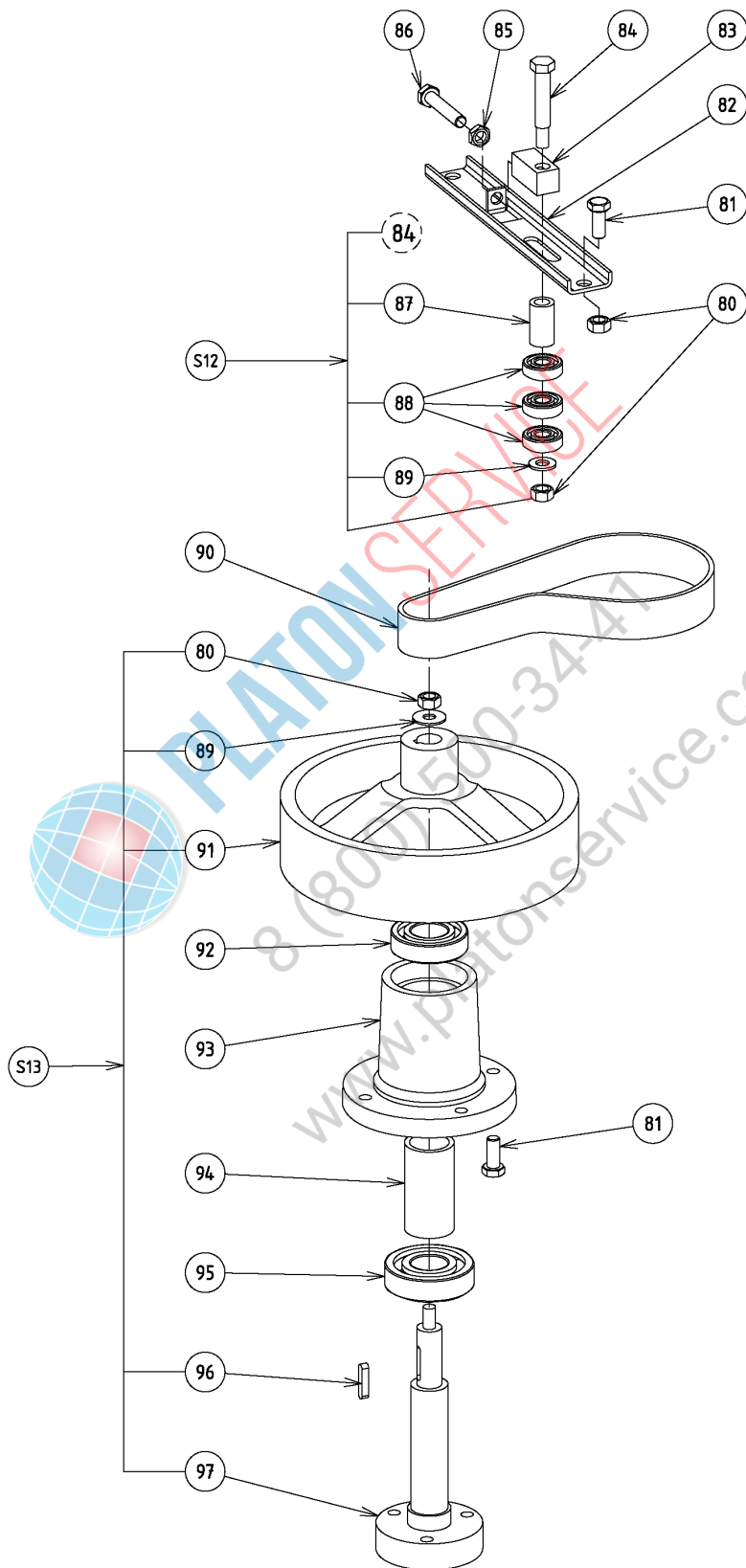


J

PSF50 FR 02 08

??????	601256								
??????	SPPSF50	????????	10				Exploded view - Transmission		
.		Alias		S		.			(Euro)
0055	0D0811						COURROIE POLY V 660 J14		21,52
0056	0U0651						SELF-LOCK NUT; M10, 10 PCS		19,54
0057	0D6070								78,36
0058	0D1678				D		PULLEY		143,10
0059	0D0006			S			BEARING		9,98
0060	0D0848						PSF50 BUSH		201,00
0061	0D6064				D				25,78
0062	0D5838						SPACER; PSF50		23,95
0063	0KQ358						BEARING		13,45
0064	0KQ486				D		KEY; 10 PCS, 6X6X30 MM		27,20
0065	000000							See S9	
0066	0D0518				D		SCREW; 10 PCS		25,88
0067	0D6414				D		THRUST BEARING; TENDEUR EQ PSF50		242,60
0068	000000							See S10	
0069	0KJ748			S			BALL BEARING; 6305 2RS		10,85
0070	0D5484						WASHER; LL 12 ACZN (JEU X10)		22,43
0071	0D2499				D		PULLEY D68 PSF50		132,00
0072	0D1679						BEARING		60,90
0073	0KQ506						WASHER; 10 PCS		20,27
0074	0D6415				D		SCREW; H M12X100 ACZN (JEU X10)		40,19
0075	0KQ554				D		NUT; 10 PCS		21,01
00S9	0D6199				D				136,00
0S10	0D3477				D		BOWL TENSIONER ROLLER ASSY PSF50		109,60

Vue éclatée Palier outil-Tendeur / Exploded view - Tool Bearing-Tensioner / Explosionszeichnung - Lager Werkzeug-Spanner / Esploso - Arresto Utensile - Tenditore / Despiece - Cojinete Accesorio - Tensor

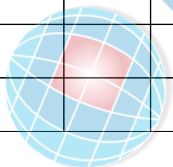


L

PSF60 FR 02 08

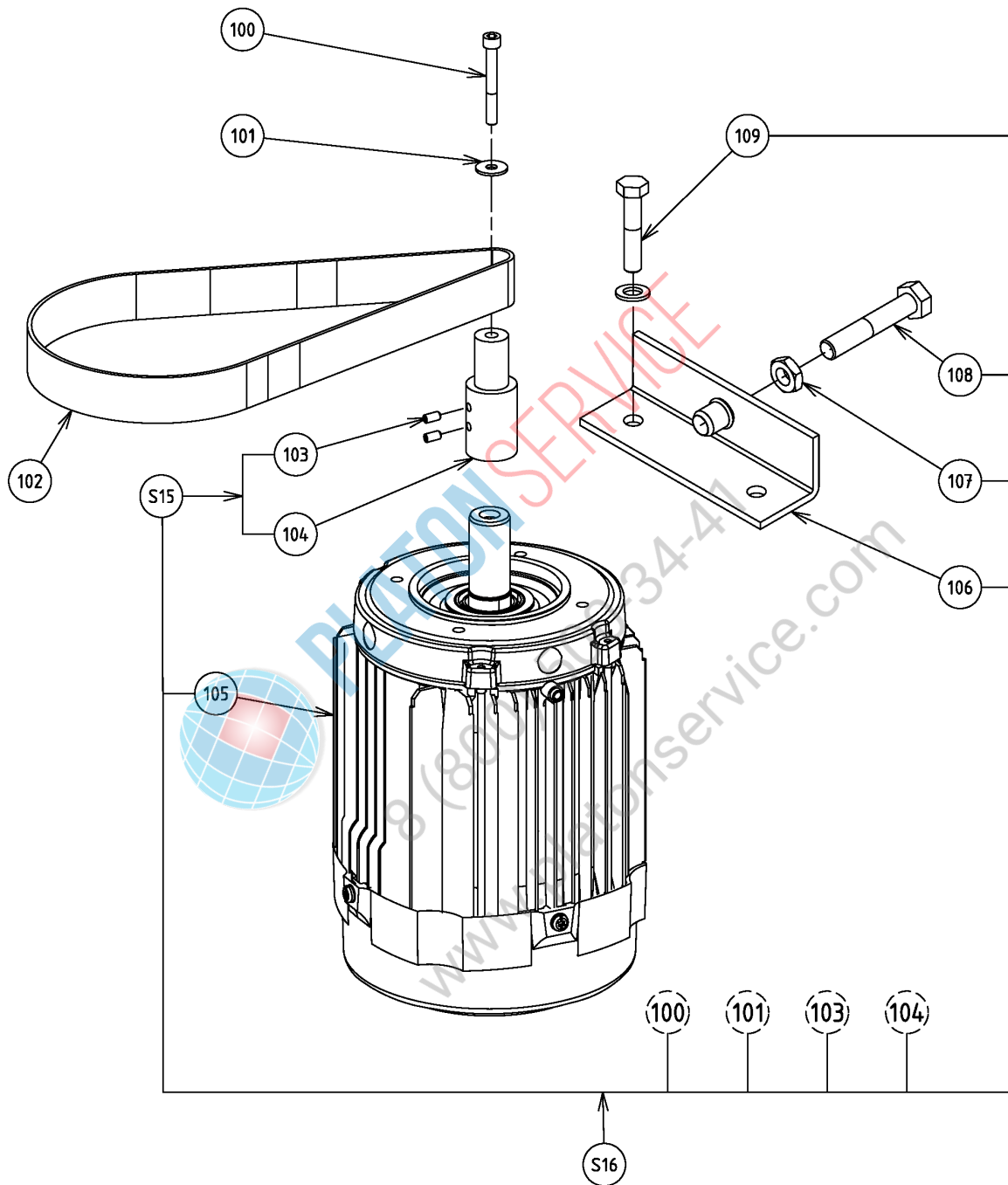
?????? 601256
 ?????? SPPSF50 ????????? 12 Exploded view - Tool Bearing-Tensioner

.		Alias		S					(Euro)
0080	0U0651							SELF-LOCK NUT; M10, 10 PCS	19,54
0081	0D6064				D				25,78
0082	0D6416				D			CROSSBAR; PSF50	42,12
0083	0D6417				D			SUPPORT; GALET PSF50	70,54
0084	000000							See S12	
0085	0D0581							NUT; 10 PCS	20,27
0086	0D7408							SCREW; SET 10PZ; M10X70	15,40
0087	000000							See S12	
0088	0KQ350							BEARING 6005 EE	7,06
0089	0D6070								78,36
0090	0D0811							COURROIE POLY V 660 J14	21,52
0091	0D3420				D			STAGED PULLEY ASSY PSF50	201,00
0092	0D0006				S			BEARING	9,98
0093	0D0848							PSF50 BUSH	201,00
0094	0D5838							SPACER; PSF50	23,95
0095	0KQ358							BEARING	13,45
0096	0D2336				D			COTTERPIN A8X7X40 PSR50 SET X5	23,55
0097	000000							See S13	
0S12	0D3476				D			HEAD TENSIONER ROLLER ASSY PSF50	203,00
0S13	0D2603							TOOL SHAFT +PULLEY KIT PSF50	440,50



PLATON SERVICE
 8 (800) 500 34 47
 www.platonservice.com

**Vue éclatée Moteur / Exploded view - Motor / Explosions-
zeichnung - Motor / Esploso - Motore / Despiece - Motor**



N

PSF50 FR 02 08

??????	601256									
??????	SPPSF50	???????? 14	Exploded view - Motor							
.		Alias		S			.			(Euro)
0100	0D2728							SCREW CHC M10X80 STL80 KZN (SET X10)		28,83
0101	0KQ506							WASHER; 10 PCS		20,27
0102	0D1438							COURROIE POLY V 1168 J18		37,25
0103	0KQ493							GRUB SCREW FOR DRIVE EXT T15; 10 PCS		21,01
0104	000000								See S15	
0105	000000								See S16	
0106	000000								See S16	
0107	0D0581							NUT; 10 PCS		20,27
0108	0D5722				D			SCREW; H M10X55 INOX (JEU X10)		35,53
0109	0D2329				D			SCREW H M8X30 SET X10		23,24
0109	0D3538				D			WASHER CS L8 GALVA STL8B (SET X10)		20,40
0S15	0D3419				D			DRIVE PULLEY ASSY PSF50		84,45
0S16	0D0882				D			MOTOR EQUIPPED PSF50		599,00
0S16	0D7642							MOTOR; 230V 50HZ; PSF50		1 862,00



PLATON SERVICE
8 (800) 500-34-41
www.platonservice.com